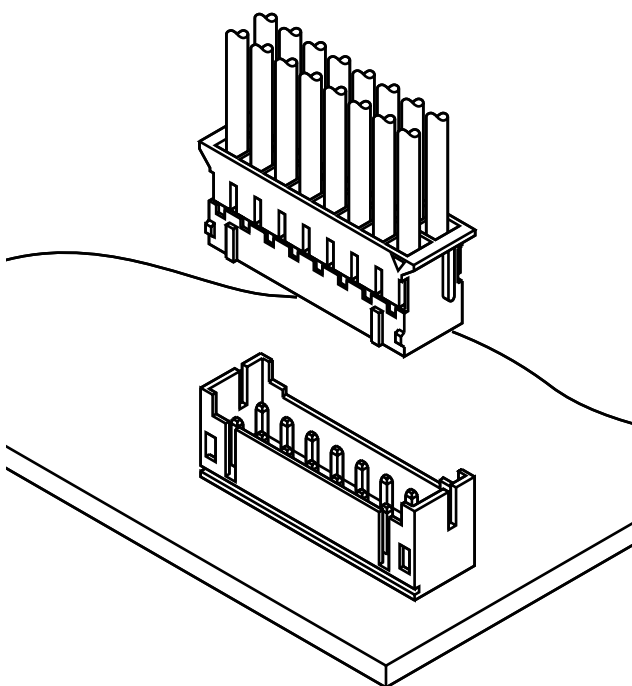


PHD CONNECTOR

Disconnectable Crimp style connectors



This is a 2.0mm (.079") pitch, crimp style, double-row, wire-to-board connector. It is designed to meet the demand for high-density and low-profile connection.



Features

• Compact

2.0mm (.079") pitch connector, 8.8mm (.346") in height after mounting and 5.0mm (.197") in width. This compact design meets the demand for high-density connection.

• Reliable contacts

The box contact supplies stable contact performance even under conditions of vibration, distortion, low voltage or low current.

• Fully shrouded header

The header is fully shrouded, having walls on all four sides to prevent improper mating and the intrusion of flux and other contaminants.

• Whisker prevention

The header pins are copper-undercoated and tin/lead-plated for whisker prevention and superb solderability.

Specifications

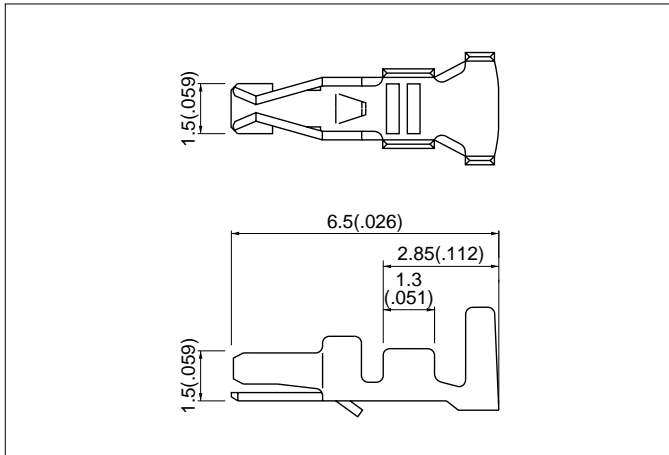
- Current rating: 3A AC, DC (AWG#22)
 - Voltage rating: 250V AC, DC
 - Temperature range: -25°C to +85°C
(including temperature rise in applying electrical current)
 - Contact resistance: Initial value/10m Ω max.
After environmental testing/20m Ω max.
 - Insulation resistance: 1,000M Ω min.
 - Withstanding voltage: 800V AC/minute
 - Applicable wire: AWG #28 to #22
 - Applicable PC board thickness: 1.6mm(.063")
- * Contact JST for details.

Standards

- Recognized E60389
- 1 Certified LR20812

PHD CONNECTOR

Contact

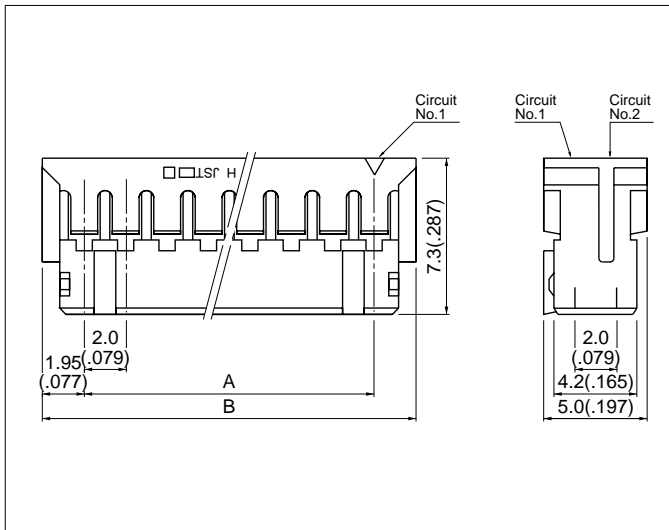


Model No.	Applicable wire			Q'ty / reel
	mm ²	AWG #	Insulation O.D. mm(in.)	
SPHD-002T-P0.5	0.08 to 0.21	28 to 24	0.9 to 1.5(.035 to .059)	8,000
SPHD-001T-P0.5	0.13 to 0.33	26 to 22	1.0 to 1.5(.039 to .059)	

Material and Finish

Phosphor bronze, tin-plated

Housing



Circuits	Model No.	Dimensions mm(in.)		Q'ty / bag
		A	B	
10	PHDR-10VS	8.0(.315)	11.9(.469)	1,000
12	PHDR-12VS	10.0(.394)	13.9(.547)	1,000
14	PHDR-14VS	12.0(.472)	15.9(.626)	1,000
16	PHDR-16VS	14.0(.551)	17.9(.705)	1,000
18	PHDR-18VS	16.0(.630)	19.9(.783)	1,000
20	PHDR-20VS	18.0(.709)	21.9(.862)	1,000
22	PHDR-22VS	20.0(.787)	23.9(.941)	1,000
24	PHDR-24VS	22.0(.866)	25.9(1.020)	1,000
26	PHDR-26VS	24.0(.945)	27.9(1.098)	1,000
28	PHDR-28VS	26.0(1.024)	29.9(1.177)	1,000
30	PHDR-30VS	28.0(1.102)	31.9(1.256)	1,000
32	PHDR-32VS	30.0(1.181)	33.9(1.335)	1,000
34	PHDR-34VS	32.0(1.260)	35.9(1.413)	1,000

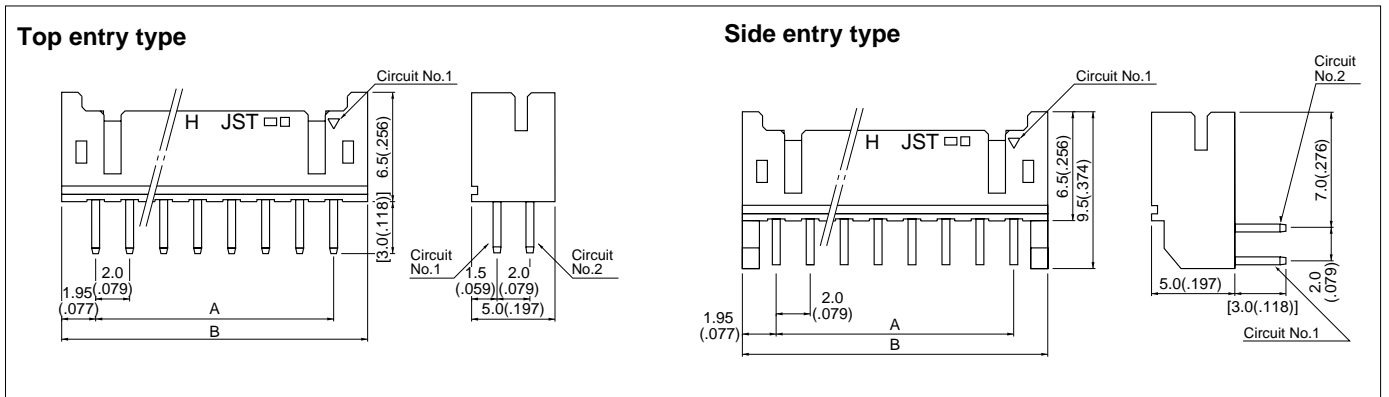
Material

Nylon 66, UL94V-0, natural (white)

<For reference> As the color identification, the following alphabet shall be put in the underlined part.
For availability, delivery and minimum order quantity, contact JST.

ex. **PHDR-10VS**
S...natural (white)
K...black Y...yellow E...blue R...red

Shrouded header



Circuits	Model No.				Dimensions mm(in.)		Q'ty / bag	
	Grass-filled nylon		Nylon		A	B	Top entry type	Side entry type
	Top entry type	Side entry type	Top entry type	Side entry type				
10	B10B-PHDSS	S10B-PHDSS	B10B-PHDSS-B	S10B-PHDSS-B	8.0(.315)	11.9(.469)	500	500
12	B12B-PHDSS	S12B-PHDSS	B12B-PHDSS-B	S12B-PHDSS-B	10.0(.394)	13.9(.547)	500	500
14	B14B-PHDSS	S14B-PHDSS	B14B-PHDSS-B	S14B-PHDSS-B	12.0(.472)	15.9(.626)	500	250
16	B16B-PHDSS	S16B-PHDSS	B16B-PHDSS-B	S16B-PHDSS-B	14.0(.551)	17.9(.705)	500	250
18	B18B-PHDSS	S18B-PHDSS	B18B-PHDSS-B	S18B-PHDSS-B	16.0(.630)	19.9(.783)	500	250
20	B20B-PHDSS	S20B-PHDSS	B20B-PHDSS-B	S20B-PHDSS-B	18.0(.709)	21.9(.862)	250	250
22	B22B-PHDSS	S22B-PHDSS	B22B-PHDSS-B	S22B-PHDSS-B	20.0(.787)	23.9(.941)	250	250
24	B24B-PHDSS	S24B-PHDSS	B24B-PHDSS-B	S24B-PHDSS-B	22.0(.866)	25.9(1.020)	250	200
26	B26B-PHDSS	S26B-PHDSS	B26B-PHDSS-B	S26B-PHDSS-B	24.0(.945)	27.9(1.098)	250	200
28	B28B-PHDSS	S28B-PHDSS	B28B-PHDSS-B	S28B-PHDSS-B	26.0(1.024)	29.9(1.177)	250	200
30	B30B-PHDSS	S30B-PHDSS	B30B-PHDSS-B	S30B-PHDSS-B	28.0(1.102)	31.9(1.256)	250	200
32	B32B-PHDSS	S32B-PHDSS	B32B-PHDSS-B	S32B-PHDSS-B	30.0(1.181)	33.9(1.335)	250	200
34	B34B-PHDSS	S34B-PHDSS	B34B-PHDSS-B	S34B-PHDSS-B	32.0(1.260)	35.9(1.413)	250	200

Material and Finish

Post: Copper alloy, copper-undercoated, tin/lead-plated
 Wafer: Glass-filled nylon 66 UL94V-0, natural (ivory)
 Nylon 66 UL94V-0, natural (white)

<For reference> As the color identification, the following alphabet shall be put in the underlined part. For availability, delivery and minimum order quantity, contact JST.

ex. **B10B-PHDSS**

S...natural (ivory)

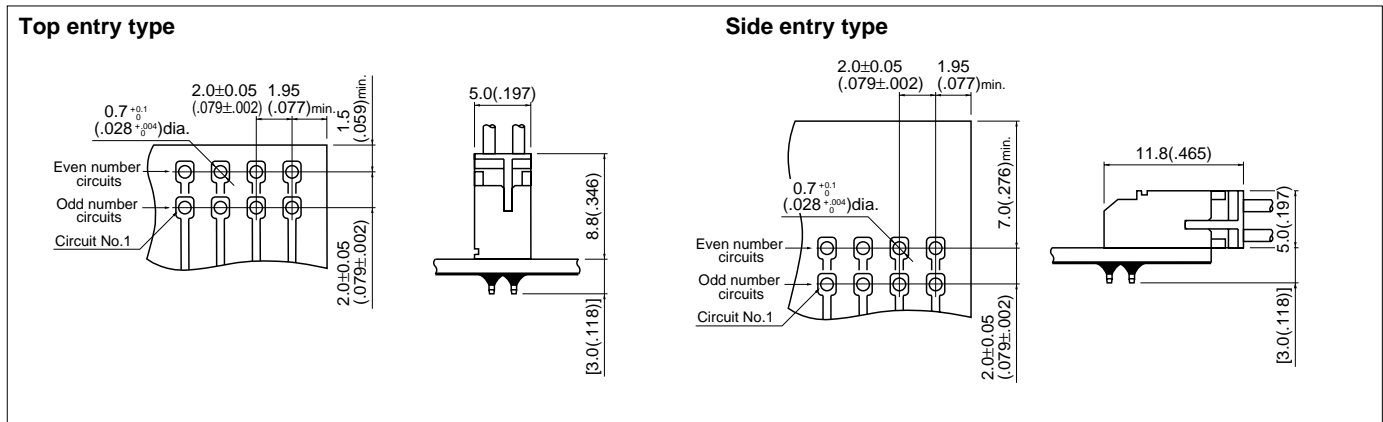
ex. **B10B-PHDSS-B**

S...natural (white)

K...black Y...yellow E...blue R...red

PHD CONNECTOR

PC board layout (viewed from soldering side) and Assembly layout



Note:

1. Tolerances are non-cumulative: ± 0.05 mm ($\pm .002$ ") for all centers.
2. Hole dimensions differ according to the kind of PC board and piercing method. If printed circuit boards made of hard material such as FR-4 are used, the hole dimensions should be larger. The dimensions above should serve as a guideline. Contact JST for details.

Applicator for the semi-automatic press AP-K2N

Contact	Crimp applicator MKS-L-10		Compact crimp applicator MKS-LS-10		Strip-crimp applicator MKS-SC
	with safety cover	without safety cover	with safety cover	without safety cover	with safety cover
SPHD-001T-P0.5	APLMK SPHD001-05	APLNC SPHD001-05	APLMKLS SPHD001-05	APLLSNC SPHD001-05	APLSC SPHD001-05
SPHD-002T-P0.5	APLMK SPHD002-05	APLNC SPHD002-05	APLMKLS SPHD002-05	APLLSNC SPHD002-05	APLSC SPHD002-05